

XRP: Pneumatic relay, plug-in type

A Used as an auxiliary relay with low air output for converting and/or decoupling pneumatic pressure signals. Suitable for command variables (e.g. for RLP VAV controllers) or for small drives. Conforms to the regulations on pressure equipment (97/23/EG Art. 3.3).

Housing of plastic with push-on connectors for soft plastic tubing of \varnothing 4 mm internal. Bleed-off nozzle-deflector system. Air supply via internal or external restrictor, or via the appliance to which the relay is connected.

Type	Description	Input [bar]	Output [bar]	Weight [g]
XRP 101 F001	interface relay	0.2...1.0	0.2...1.0	22
XRP 102 F001	reversing relay	0.2...1.0	1.0...0.2	50
XRP 103 F001	sequence relay ²⁾	0.6...1.0	0.2...1.0	10
XRP 104 F001	sequence-reversing relay ³⁾	0.2...0.6	1.0...0.2	50

Supply pressure ¹⁾	1.3 ± 0.1 bar	Documentation			
Air output, air consumption	33 l _v /h		Connection	Dimensions	Fitting
Reversing relay 297600	19 l _v /h	XRP 101	A03940	M00876	MV 505088
Max. air exhaust	50 l _v /h	XRP 102	A03941	M00132	MV 7334
Perm. input pressure	0...1.4 bar	XRP 103	A03940	M00131	MV 7333
Perm. output pressure	0...1.4 bar	XRP 104	A03940	M00132	MV 7335
Perm. ambient temp.	0...55 °C				

Accessories

0296936 000 Bracket for rail EN 50022, 35 × 7.5 and 35 × 15 (not for XRP 103)

0296937 000 Bracket for rail C, EN 50024-C20 (not for XRP 103)

- Supply via external restrictor of \varnothing 0.2 mm (reversing relay 297600: internal restrictor of \varnothing 0.2 mm). When used in conjunction with RLP controllers, the restrictor and the air consumption do not apply. Up to three RLP controllers can be connected to each relay.
See Section 60 on regulations concerning the quality of supply air, especially at low ambient temperatures.
- Starting point can be set anywhere between 0.2 and 0.6 bar; factory setting is 0.6 bar.
- Starting point can be set anywhere between 0.6 and 1.0 bar; factory setting is 0.6 bar.

Operation

Interface relay

For the decoupling of pneumatic signals or for the load-free transmission of a weak signal. The standard pressure signal of 0.2...1.0 bar at input 3 is fed at a ratio of 1:1 to output 2.

Reversing relay

For reversing the control action of the command variable. The standard pressure signal of 0.2...1.0 bar at input 3 is inverted and fed to output 2 as 1.0...0.2 bar.

Sequence relay

For splitting the standard pressure signal into two sequence ranges. The signal of 0.2...1.0 bar at input 3 is fed with double amplification to output 2 when it exceeds 0.6 bar. The starting point can be set between 0.2 and 0.6 bar.

Sequence-reversing relay

For splitting and reversing the standard pressure signal into two sequence ranges. The standard pressure signal of 0.2...1.0 bar at input 3 is inverted and, between 0.2 and 0.6 bar, is converted into an output pressure of 1.0...0.2 bar. The starting point can be set between 0.6 and 1.0 bar.

Engineering and fitting notes

Sequence relay: can be plugged straight into the pneumatic line.

Reversing, interface and sequence-reversing relays: can be plugged straight into the pneumatic line or fitted onto either walls or rails. See *Accessories*.



1:1

Y07575



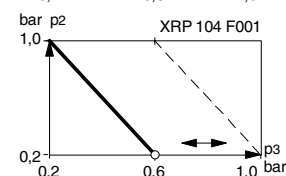
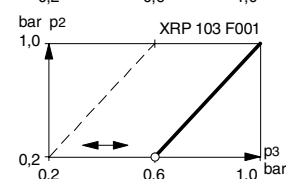
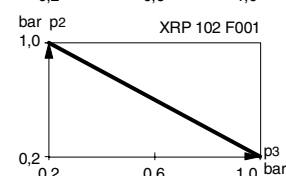
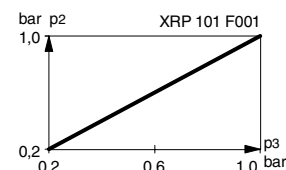
Y07576



Y07577



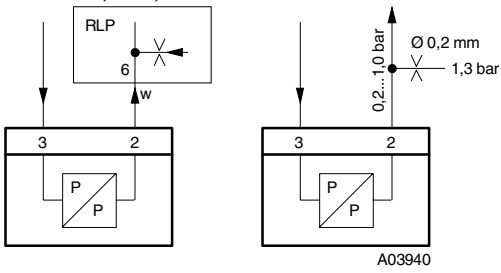
Y07578



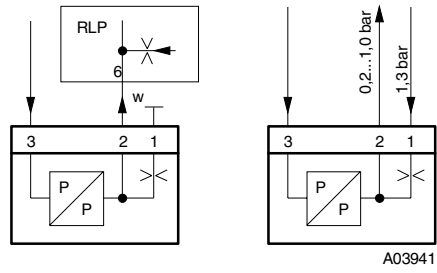
B03939b

Connection diagrams

XRP 101, 103, 104

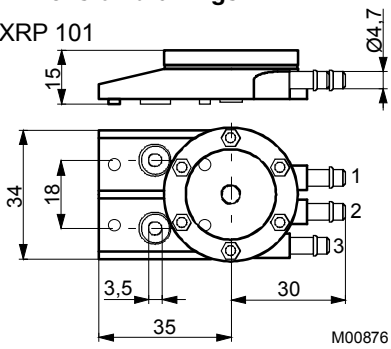


XRP 102

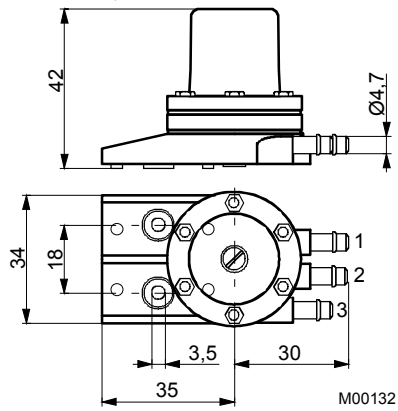


Dimension drawings

XRP 101



XRP 102, 104



XRP 103

