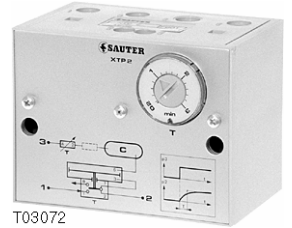


XTP 2: Time-lag relay

Used as a variable attenuator for pneumatic signals, e.g. in the case of switched (surging) control pressures. Conforms to the regulations on pressure equipment (97/23/EG Art. 3.3). Housing of thermoplastic; front plate with adjuster for the time constant; embossed with connection diagram and description of operation. Suitable for mounting on walls or rails (as per C EN 50024, C EN 50022; see *Accessories*). Compressed-air connection Rp 1/8 female thread.



T03072



Y03176

Type	Time constant [min]	Air output	Air consumption	Weight [kg]
XTP 2 F001	0.2...3 ¹⁾	400 I _v /h	6 I _v /h	0.15
Supply pressure ²⁾	1.3 ± 0.1 bar	Permissible amb. temperature		0...55 °C
Input pressure	0...1.4 bar	Connection diagram		A02895
Output pressure	0...1.4 bar	Dimension drawing		M297107
		Fitting instructions		MV 7329

Accessories

0296936 000* Fixing bracket for rail 35 × 7,5 and 35 × 15

0297277 000 Resistor and scale for increasing the time constant to between 3 and 6 minutes

^{*)} Dimension drawing or wiring diagram are available under the same number

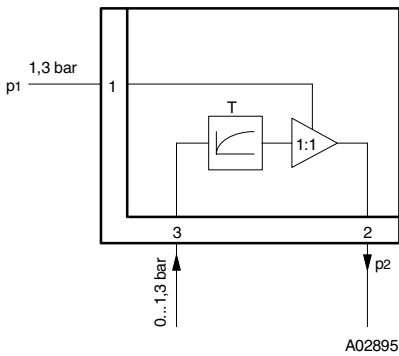
1) Accessory 0297277 allows the time constant to be increased to between 3 and 6 minutes

2) See Section 60 on regulations concerning the quality of supply air, especially at low ambient temperature.

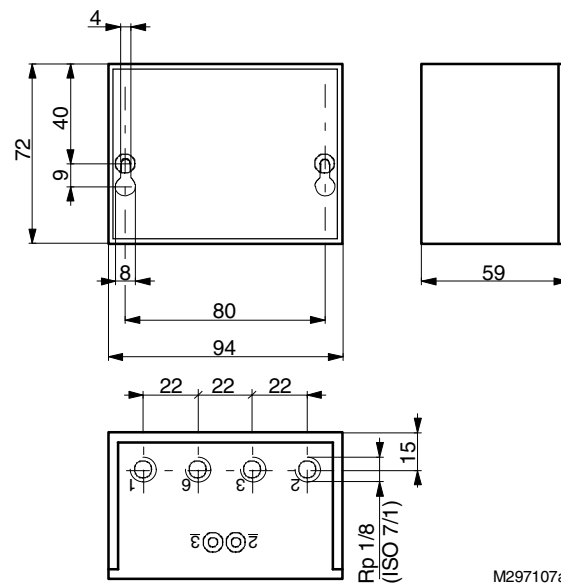
Operation

By turning the adjuster knob, the time constant T can be varied between 0.2 and 3 minutes, regardless of the capacity connected (with accessory Z 0297277, this can be increased to between 3 and 6 minutes). The relay can either supply or retract air, without impairing operation.

Connection diagram



Dimension drawing



Accessories

296936

