

XGP 2: Pneumatic control-pressure adjuster

For continuous remote operation of small valves, or for remote adjustment of the setpoint (e.g. *centair*). Not suitable for use where several adjustments are required throughout the day. Conforms to the regulations on pressure equipment (97/23/EG Art. 3.3).

Housing of thermoplastic; bleed-off force-balance system with integrated restrictor of $\varnothing 0.14$ mm. Adjuster knob with exchangeable scales and two stops for limiting the setting range or locking the setting; push-on adaptor for soft plastic tubing (internal $\varnothing 4$ mm). Suitable for mounting in panels or (recessed) in walls.



T03070



Y03461

Type	Setting range [bar]	Setting span ¹⁾ [bar]	Scale ²⁾ [°C]	Weight [kg]
XGP 2 F001	0...1,2	–	5...35	0.029
XGP 2 F002	–	± 0.1	± 3.75	0.029
Supply pressure ³⁾	1.3 ± 0.1 bar		Permissible ambient temp	0...55 °C
Air capacity, air consumption			Connection diagram	A03462
with restrictor $\varnothing 0.14$ mm	16 l _n /h		Dimension drawing	M297201
with restrictor $\varnothing 0.2$ mm	33 l _n /h		Fitting instructions	MV 7320
Output pressure	0...1.2 bar			

Accessories

- 0303124 000*** Recessed junction box
- 0297212 000*** Intermediate plate for fitting into recessed junction box
- 0296218 000*** Buckle-proof connector-adaptor for push-on installation
- 0296990 000*** Buckle-proof connector-adaptor for screw-type installation; MV 7322

^{*)} Dimension drawing or wiring diagram are available under the same number

- 1) Zero point is variable between 0.2 and 1.0 bar; factory setting is 0.6 bar.
- 2) F001: rear 0...120 °C. Included are: 20...90 %rh, % scale, gradation 5, gradation 6.
F002: rear ± 8.75 %rh. Inscrutable scale is included.
- 3) See Section 60 on regulations concerning the quality of supply air, especially at low ambient temperature.

Operation

The output pressure rises when the adjuster knob is turned in a clockwise direction.

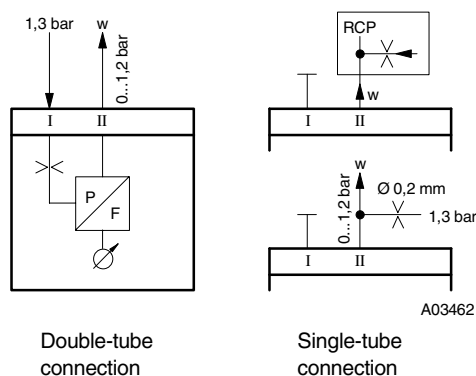
Single-tube connection

The transmitter is supplied with air via connector no. II through either an external restrictor ($\varnothing 0.2$ mm) or the restrictor ($\varnothing 0.14$ mm) in connector no. 6 in the *centair* controllers. Connector no. I remains closed off by the cap (included in delivery).

Double-tube connection

The transmitter is supplied with air via the integrated restrictor ($\varnothing 0.2$ mm). Connector no. I is for supply pressure; no. II for output pressure.

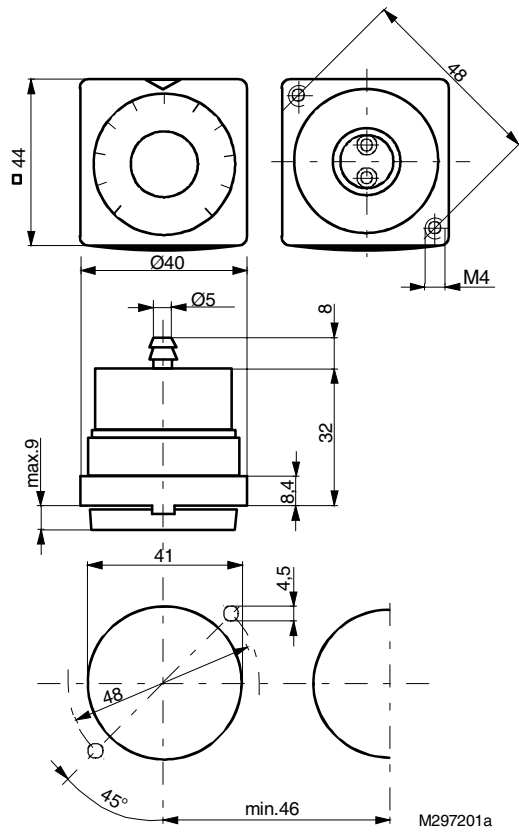
Connection diagram



Double-tube
connection

Single-tube
connection

Dimension drawing



Accessories

