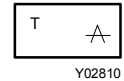


TSUP: Room-temperature transducer

For measuring the room temperature in occupied rooms; used in conjunction with pneumatic *centair* control systems. Conforms to the regulations on pressure equipment (97/23/EG Art. 3.3). Housing plinth of anthracite-grey (RAL 7016) light alloy; force-balance system with nozzle-ball. Bimetal measuring element. Cover of thermoplastic with pure-white (RAL 9010) front plate; compressed air supplied via push-on connector for soft plastic tubing of Ø 4 mm internal diameter. Measurement connection M4.



T03424



Y02810

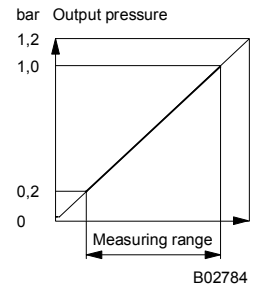
Type	Measuring range [°C]	Output pressure [bar]	Weight [kg]
TSUP 1 F001	5...35	0.2...1.0	0.17
Supply pressure ¹⁾ via external restrictor Ø 0.2 mm	1.3 ± 0.1 bar	Permissible ambient temp.	0...70 °C
Air capacity, air consumption	33 l _n /h	Connection diagram	A02781
Linearity	< 2%	Dimension drawing	M303048
Time constant (0.2 m/s)	5 min	Fitting instructions	MV 23153

Accessories

- 0296218 000*** Buckle-proof adaptor for push-on fitting.
- 0296990 000*** Buckle-proof adaptor for screw-type fitting; see MV 7322.
- 0303124 000*** Recessed junction box.
- 0310315 000*** Surface junction box.

^{*)} Dimension drawing or wiring diagram are available under the same number

¹⁾ In the RCP and RPP 20 controllers, the restrictors (Ø 0.2 mm) are fitted at inputs 3 and 4. See Section 60 on regulations concerning the quality of supply air, especially at low ambient temperatures.



B02784

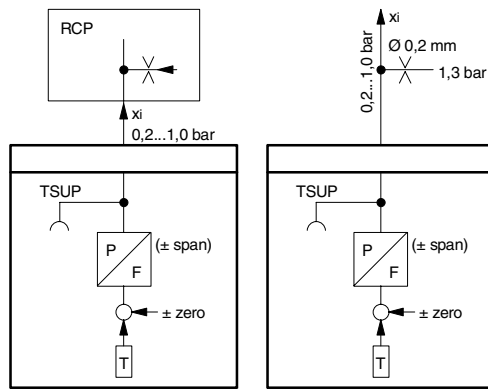
Operation

As the temperature rises, the bimetal strip bends and exerts a corresponding force on the nozzle-ball system. This converts the force into a pressure change. The output pressure increases as the temperature rises.

Technical information

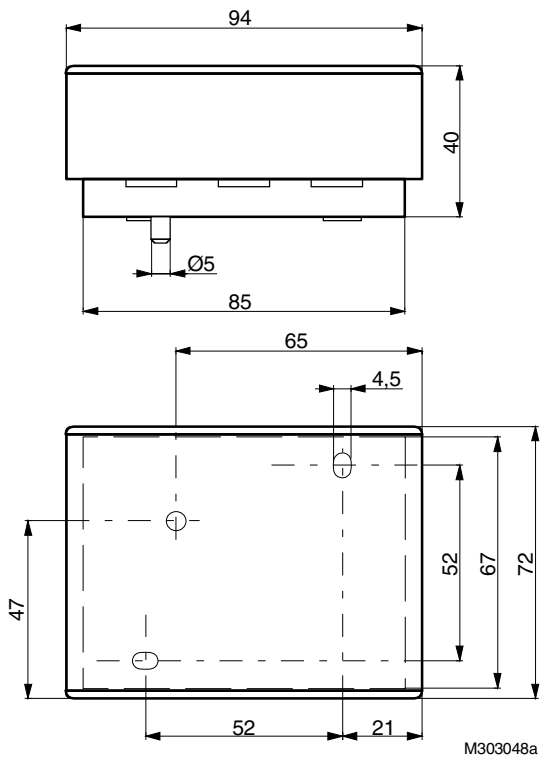
Technical manual: *centair* system 304991 003

Connection diagram

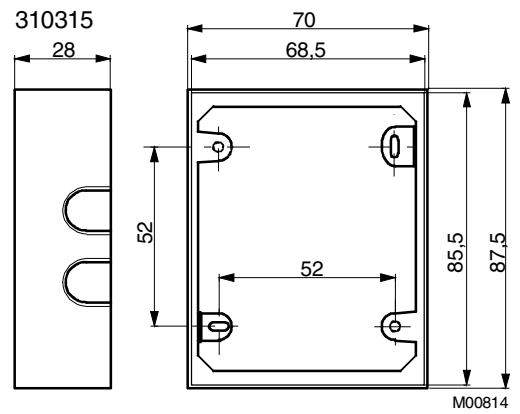


A02781

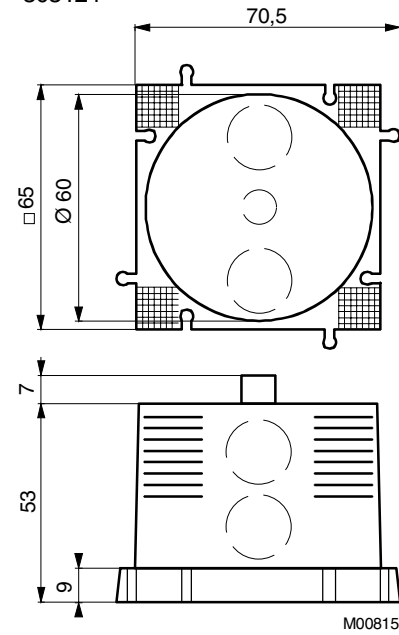
Dimension drawing



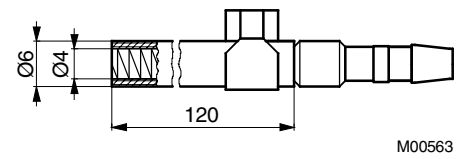
Accessories



303124



296218



296990

