

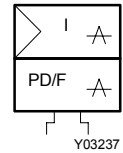
## RLP 10: Pneumatic volume-flow controller

Used in conjunction with an orifice plate or a dynamic pressure sensor and a pneumatic damper drive for controlling the air volume in air-conditioning systems. For fixed, change-over or variable setpoints (VAV). Can also be used as a duct pressure controller. All the VAV controllers comply with EN 13463-1 and EN 1127-1 (Ex II 2 G T6) and can be employed in Zone 1 areas where there is a risk of explosion. Conforms to the regulations on pressure equipment (97/23/EG Art. 3.3).

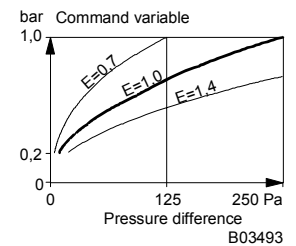
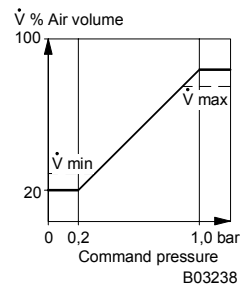
Baseplate of thermoplastic; front plate with the adjusters for minimum and maximum limitation of the setpoint signal; settings are made using a coin and the % scale. Control action can be changed over. Suitable for mounting onto walls or rails (C-EN 50024 and EN 50022, accessory). Must not be fitted standing on its end. Compressed-air connection Rp 1/8 with female thread. Low-pressure connections: 2 stepped push-on connectors for soft plastic tubing (internal Ø 4 and 6 mm).



T03079



Type	Control action	Setpoint range		Air capacity [l <sub>r</sub> /h]	Weight [kg]
		Volume flow [% $\dot{V}$ ]	Pressure diff. <sup>1)</sup> [Pa]		
Integral volume-flow controller for supply and return air					
<b>RLP 10 F001</b>	B	20...100	10...250	330	0.2
<b>RLP 10 F905</b>	A	20...100	10...250	330	0.2
Integral volume-flow controller for aggressive gases in return air					
<b>RLP 10 F904</b>	B	20...100	10...250	330	0.2
<b>RLP 10 F916</b>	A	20...100	10...250	330	0.2
Output pressure	0.2...1.0 bar	Input: setpoint shift $w$ <sup>3)</sup>			
Response sensitivity	0.5 Pa	20...100 % $\dot{V} \triangleq$		0.2...1.0 bar	
Linearity; accuracy of root extraction <sup>2)</sup>	2%	Usable range $p_{stat}$		0...3 kPa	
		Permissible pressure (low-pressure connections)		10 kPa	
Supply pressure <sup>4)</sup>	1.3 bar $\pm$ 0.1	Connection diagram		<a href="#">A02888</a>	
Air consumption	44 l <sub>r</sub> /h	Dimension drawing		<a href="#">M297240</a>	
Permissible ambient temp.	0...55 °C	Fitting instructions		<a href="#">MV 505677</a>	
Degree of protection	IP 20				

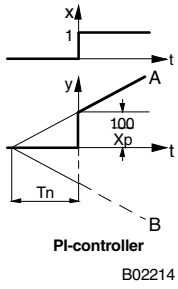


### Accessories

- 0226551 015** Scale (10...250 Pa) when used as duct pressure controller
- 0226551 017** Scale (20...500 Pa) when used as duct pressure controller <sup>1)</sup>
- 0296936 000\*** Fixing bracket for rail EN 50022, 35 × 7.5 and 35 × 15
- 0297354 000\*** Short screw-type connector (R 1/8) for soft plastic tubing, int. Ø 4 mm; 3 pcs required
- 0297680 001** Setpoint  $\dot{V}$  min. and  $\dot{V}$  max. set and marked
- 0297680 002** Influence E set and marked

<sup>\*)</sup> Dimension drawing or wiring diagram are available under the same number

- 1) Factory setting 10...250 Pa. Using the XYP 3 test unit, the range can be altered from 5...125 Pa (E = 0.7) to 20...500 Pa (E = 1.4).
- 2) The percentages refer to 100% air volume
- 3) For connection 6, we recommend the use of temp. controllers without amplifier (TS. P 80 or TK. P 80), since they are supplied directly by the internal restrictor of the RLP.
- 4) See Section 60 on regulations concerning the quality of supply air, especially at low ambient temperatures.



**Operation RLP 10**

The pressure difference (10...250 Pa) created at the orifice plate or dynamic pressure sensor is converted by the root-extracting transducer into a fluidic-linear standard signal (0.2...1.0 bar). The command variable  $w$  at connection 6 (e.g. TSP 80 temperature controller) shifts the air volume. This variable is limited by the min. and max. adjusters, and is compared with the actual value. For fixed value control no command variable  $w$  is needed, the adjuster „min“ then serves as setpoint adjuster. The integral controller compensates without lasting error for the control deviation.

On the F904 and F916 models, a small amount of air is constantly fed into the two low-pressure lines in order to protect the diaphragm from aggressive gases.

**Technical information**

Technical manual: VAV 7000 621 003

**Engineering and fitting notes**

The TS . P 80 and the TK . P 80 (without amplifier) are a good choice of temperature controller. It is supplied by an internal restrictor fitted at terminal 6 of the RLP.

Influence E: the output pressure 0.2...1.0 bar of the temperature controller (20...100% command variable) changes the volume-flow setpoint between 10 and 250 Pa (factory setting  $E = 1.0$ ). A small internal screw allows this setpoint range to be increased or decreased by a factor of 2.

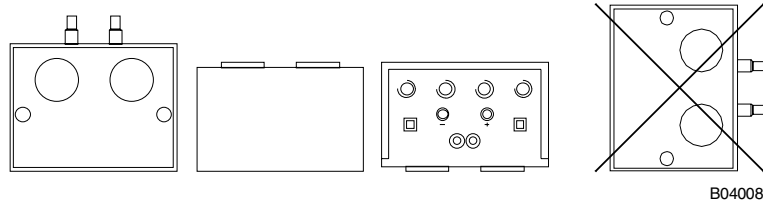
$E = 1.4$ : 100% command variable equals 1.4 times air volume, pressure difference 500 Pa.

$E = 0.7$ : 100% command variable equals 0.7 times air volume, pressure difference 125 Pa.

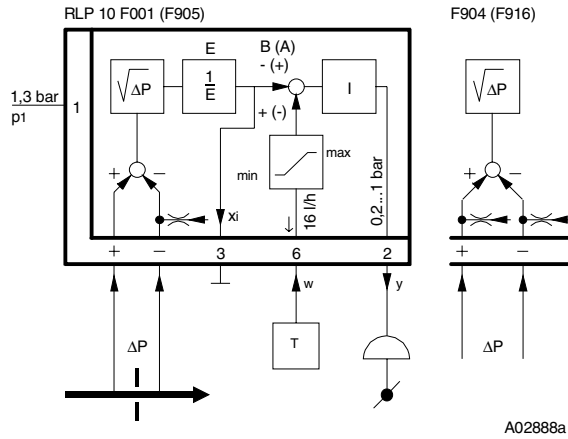
To be able to adjust the influence  $E$ , the XYP 3 test unit is required.

There should be no positioner connected between the integral controller (RLP 10) and the actuator or valve drive. The output pressure must go directly to the drive.

The unit should not be fitted standing on its end!

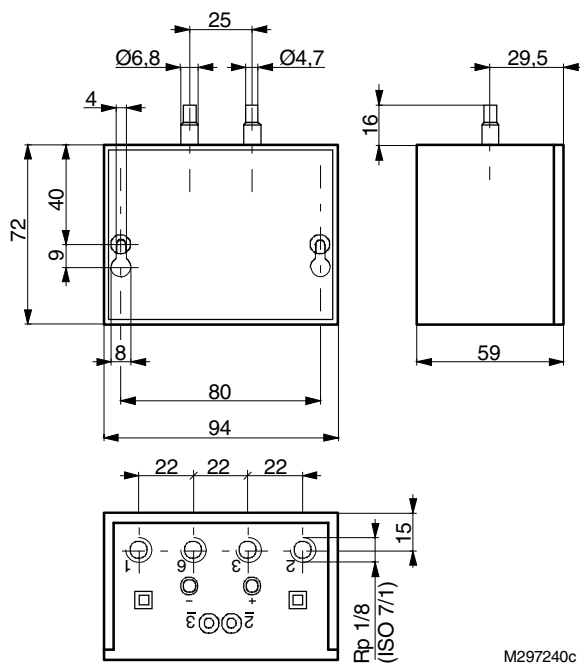


**Connection diagrams**



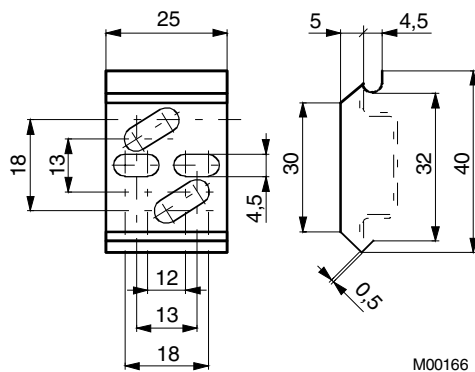
- w command variable
- $\Delta p$  pressure difference
- y output pressure
- I – controller

Dimension drawing

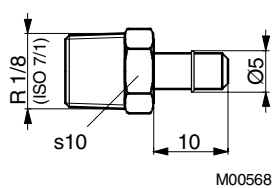


Accessories

296936

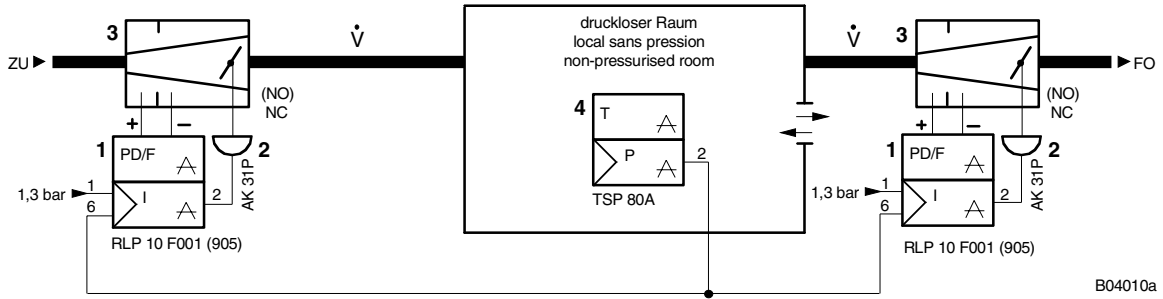


297354

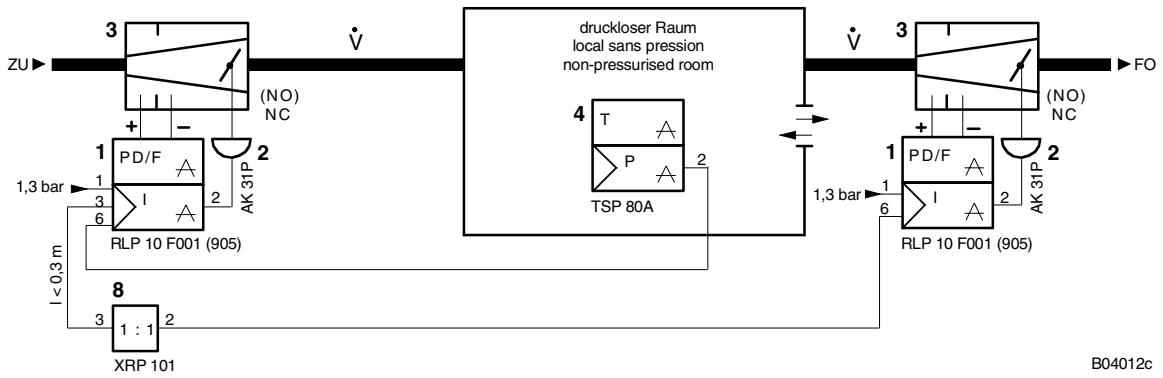


**Examples of use with RLP 10**

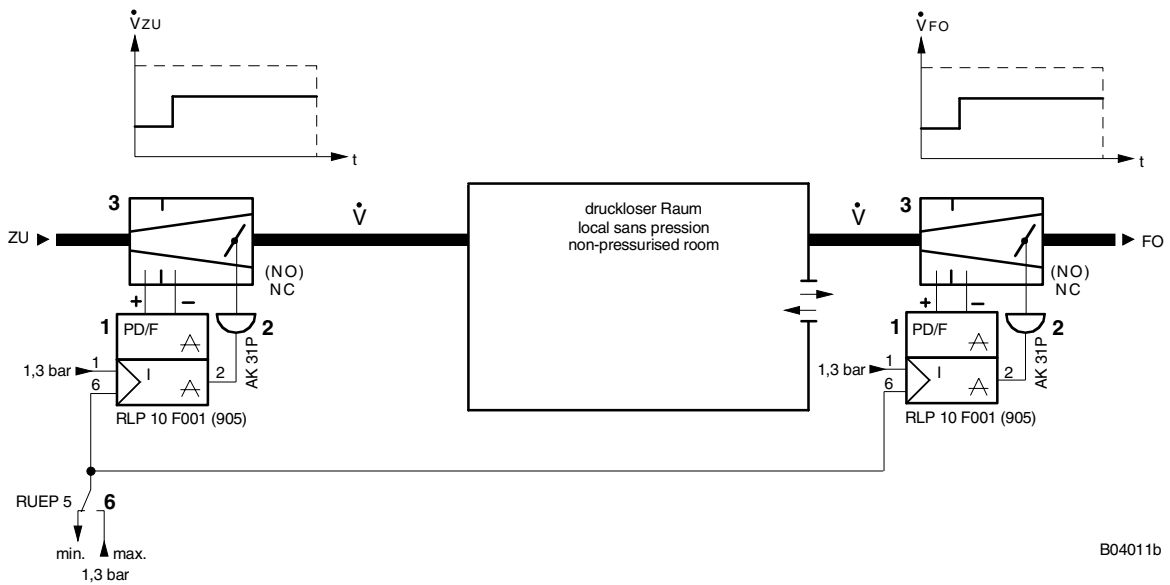
1. Control facility for variable air volume, for 'open rooms'.



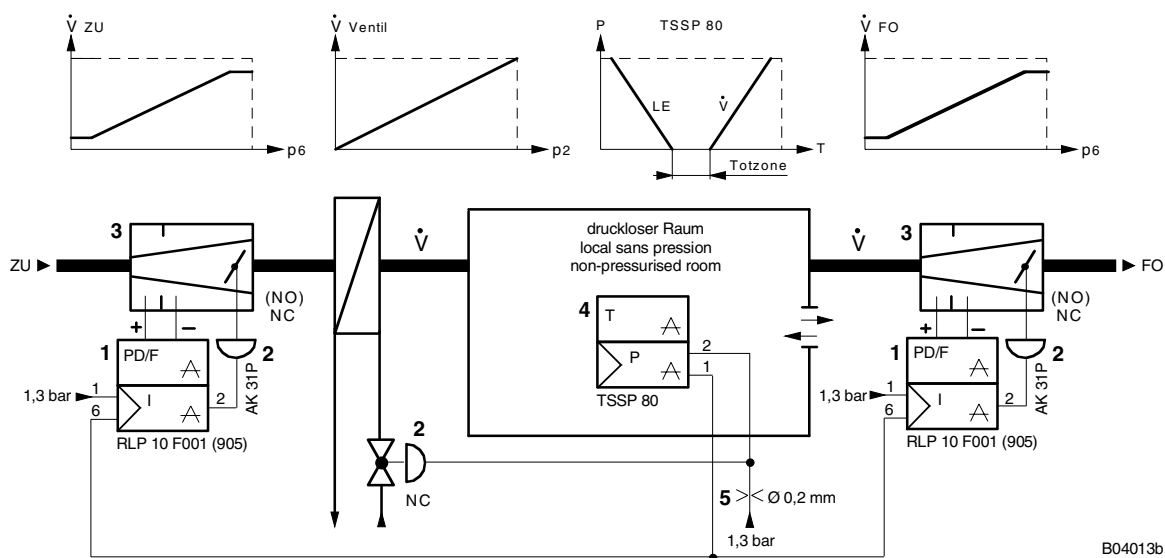
2. Control facility only for variable air volume, for 'open rooms'; exhaust-air controller controlled by supply-air controller.



3. Control facility for constant air volume, for 'open rooms', with setpoint options.

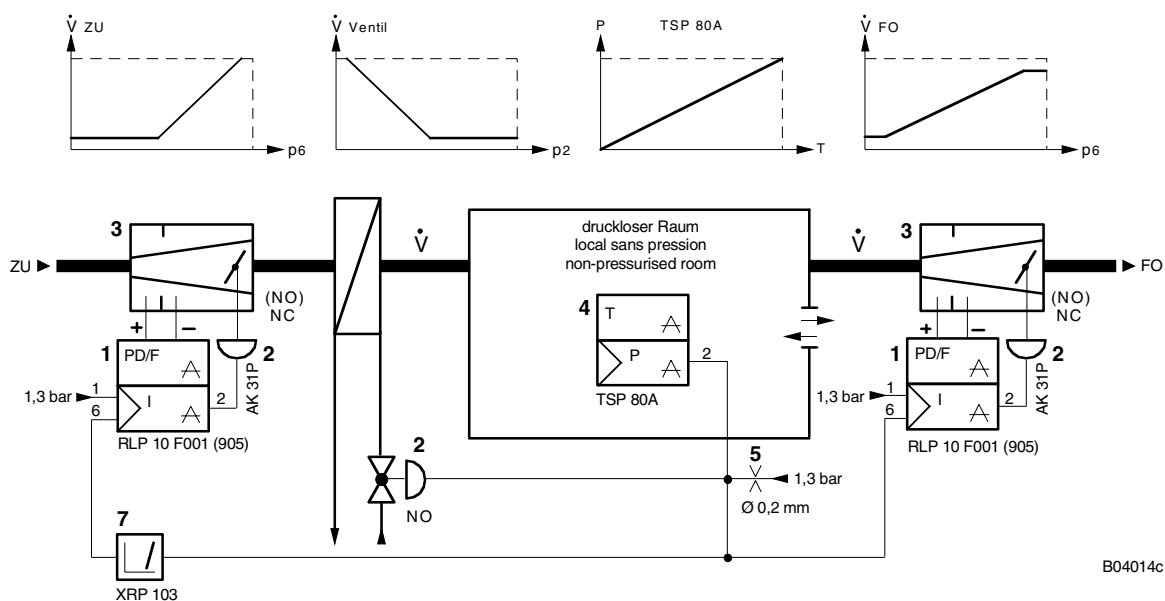


4. Control facility for variable air volume, with re-heater, for 'open rooms', with dead zone; normally closed re-heater; room-temperature controller has control action A and B.



B04013b

5. Control facility for variable air volume, with re-heater, for 'open rooms'; normally-open re-heater; room-temperature controller has control action A.



B04014c

1	Volume-flow controller	6	Electropneumatic relay	FO	EA (exhaust air)
2	Damper or valve drive	7	Sequence relay	ZU	SA (supply air)
3	Pressure-release unit	8	Interface relay	LE	HC (heating coil)
4	Room-temperature controller	Ventil	Valve	Totzone	Dead zone
5	External line restrictor			NO	normally open
				NC	normally closed